

Universal Signal Conditioner

SC 22

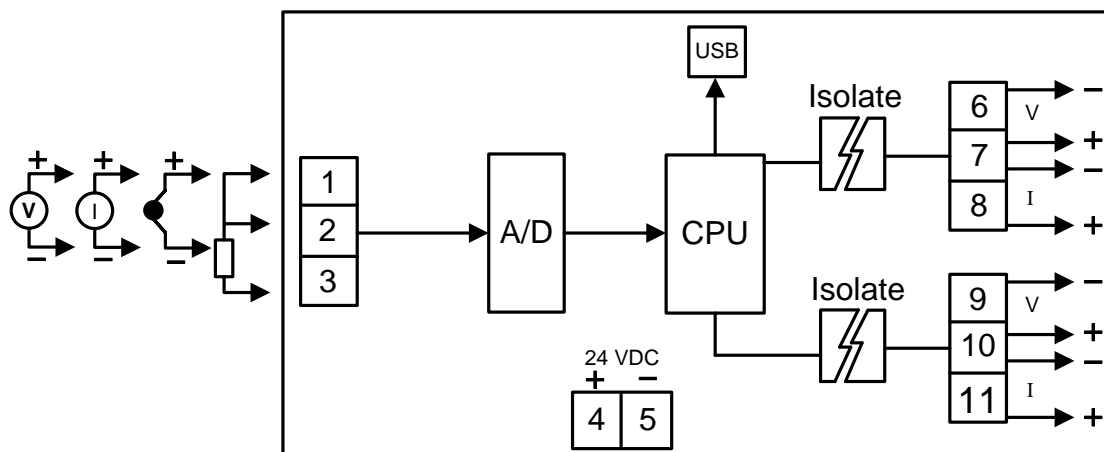


- Programmable input
- Two isolated output
- Isolated input, output and power supply
- Universal Conversions
- 4-20mA, 0-10VDC, 0-5VDC transmitter output
- High accuracy (16bit)
- Low cost
- Easy to install

Relative Software

Wisco SC20 Utility

Universal Signal Conditioner SC22 A signal conditioner is a device that converts one type of electronic signal into a another type of signal. Its primary use is to convert a signal that may be difficult to read by conventional instrumentation into a more easily read format.



Specifications

Serial Communication

Interface: USB

Input

Analog Input: 1 Channel

ADC Resolution: 24 Bits

Input type: Programmable Input

Thermocouple (R, S, K, E, J, T, B)

RTD (Cu10, PT100, PT1000)

Resistance (0-600 Ω, 0-1.2 KΩ, 0-4 KΩ)

Voltage (0-80 mV, 0-150 mV)

Voltage DC (0-1, 0-5, 0-15, 0-30)

Current (4-20 mA, 0-20 mA, 0-40 mA)

Output

Analog Output: 2 Channels

Output Rang: 4 - 20 mA, 0 - 5 VDC,

1 - 5 VDC, 0 - 10 VDC (Programmable)

Power Requirements

Power Supply: 24 VDC

Isolation voltage: 500 VAC, between input output and power supply

Power Consumption

Standby: 155 mA @ 12 VDC

Environmental Limits

Operating Temperature: -10 to 55 °C

Operating Humidity: 5 to 95% RH

Storage Temperature: -10 to 70 °C

Physical Characteristics

Dimension: W20 x H100 x D118 mm.

Mounting: DIN Rail

Warranty

Warranty Period: 5 year

Details: www.wisco.co.th

Ordering Information:

Example SC22

Package Checklist

1. SC22 2. USB Cable 3. Manual 4. CD Software

