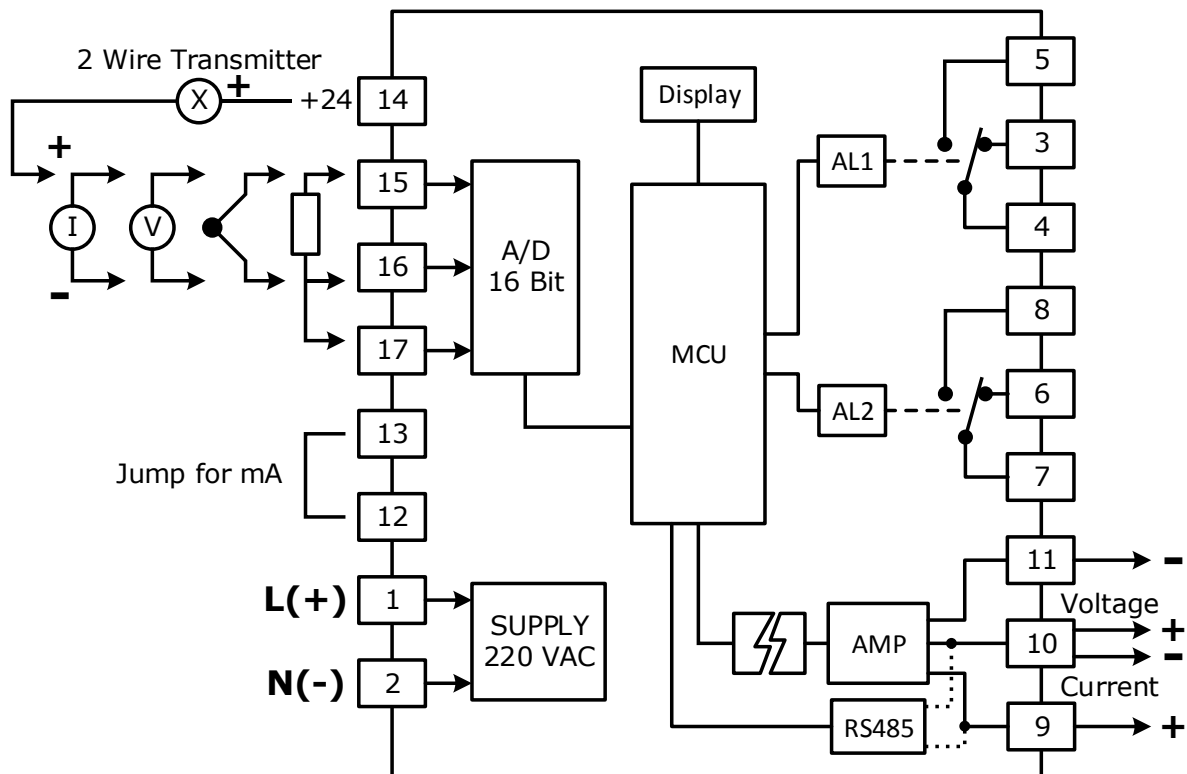


Universal Input Indicator DP70



- 5 Digits Display
- Programmable Input type
- 2 Alarm Relay
- 1 Analog output or RS485 (Option)

Universal Input Indicator DP70 เป็นอุปกรณ์แสดงค่าวัด สามารถเลือกชนิดของ Input ได้, แสดงผลได้ถึง 5 หลัก, ตั้ง Alarm ได้ 2 ชุด สามารถตั้งค่าได้โดยอิสระ และสามารถเลือก ให้เป็น Hi Alarm หรือ Low Alarm ได้ นอกจากนี้ยังมี Analog Output อีก 1 ช่อง



Specifications

Serial Interface (Optional)

Serial Standards: RS485 (Isolated)
2 Pin Terminal Block

Loading: RS485 Max 32 Unit

Distance: RS485 Length 1 Km.

Protocol: MODBUS ASCII/RTU

Supply Software: Citect, Wonderware, LAB View etc.

Monitor

Display: 5 digits, 14.2 mm. (7-Segment)

Display Color: Red (std)

Analog Input

Number of channel: 1 Channel

Input type: Programmable

Input range:

Thermocouple (R, S, K, E, J, T, B)

RTD (Cu10, PT100, PT1000)

Resistance (0 to 600 Ω , 0 to 1200 Ω ,
0 to 4000 Ω)

Voltage mVDC (0 to 80, 0 to 150 mVDC)

Voltage (0 to 1, 0 to 5, 0 to 10, 0 to 30 VDC)

Current (4 to 20, 0 to 20, 0 to 40 mA)

ADC Resolution: 16 bits

Accuracy: ± 1 least significant digit

Analog Output (Optional)

Number of channel: 1 Channel

Output type: Current, Voltage

Output range:

Current (0 to 20, 4 to 20 mA)

Voltage (0 to 1, 0 to 5, 0 to 10 VDC)

Output Impedance:

Current Max Load 800 Ω

Voltage Min Load 1000 Ω

Relay Output

Number of Channel: 2 Channels (Alarm)

Relay Type: N.O. or N.C.

Contact Rating: 6A@250VAC, 6A@30VDC

Power Requirements

Power Supply: 85 to 230 VAC

(12 to 35 VDC Optional)

Environmental Limits

Operating Temperature: 0 to 55 $^{\circ}\text{C}$

Operating Humidity: 5 to 95% RH

Storage Temperature: 0 to 70 $^{\circ}\text{C}$

Physical Characteristics

Dimension: W96 x H48 x D120 mm.

Panel Cutout: W90 x H40 mm.

Mounting: Panel Flush Mounting

Wiring: Screw terminals

Warranty

Warranty Period: 5 Year

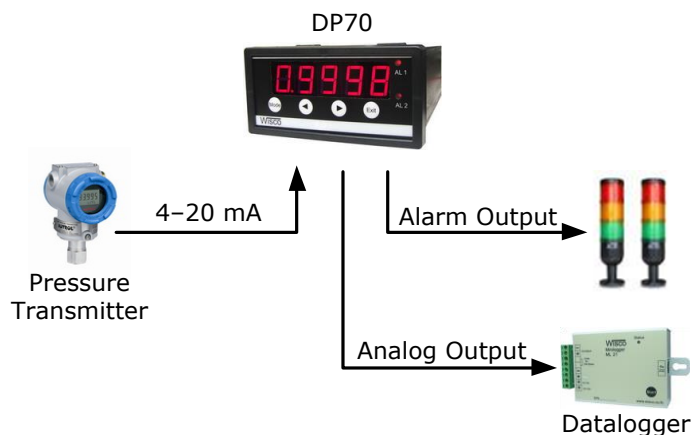
Ordering Information: Specify Power Supply, Output

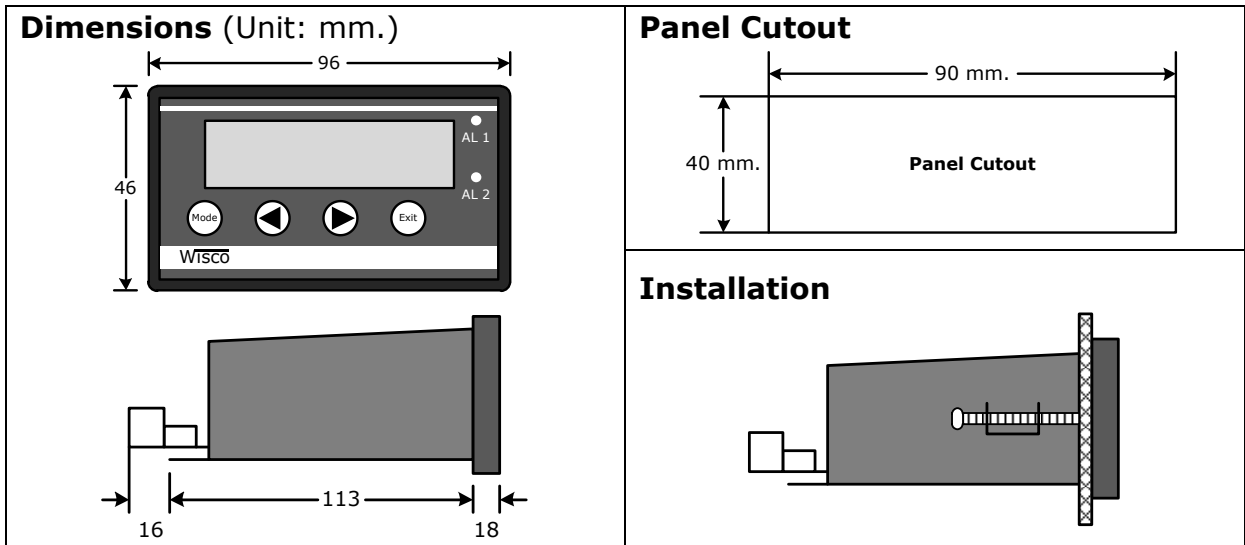
Example DP70/220VAC/4-20mA

Package Checklist

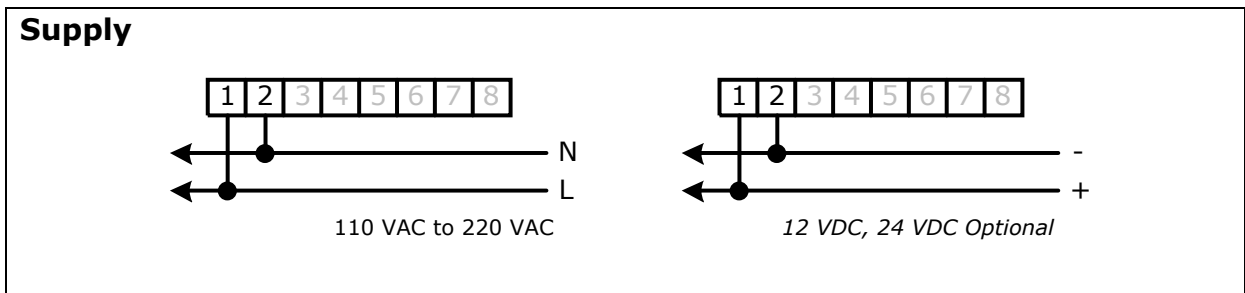
1. DP70
2. Manual

การต่อใช้งาน DP70

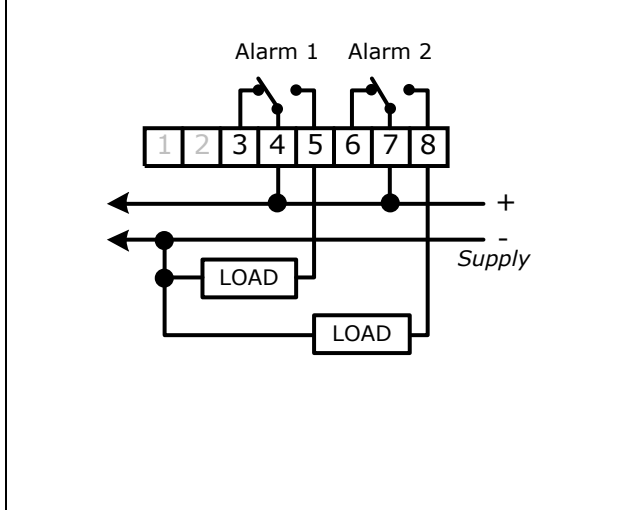




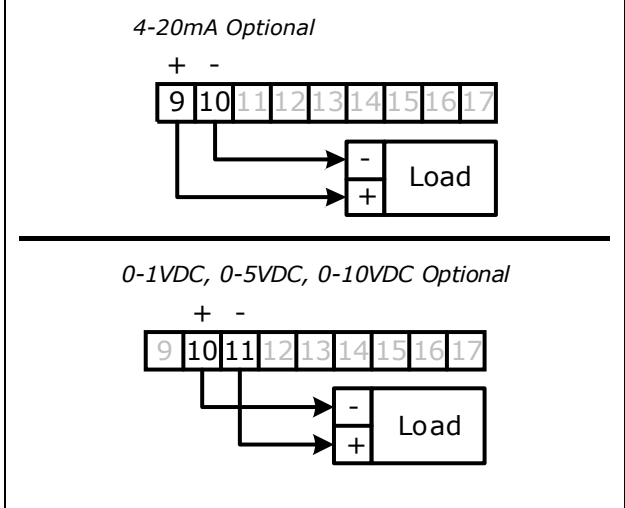
Wiring



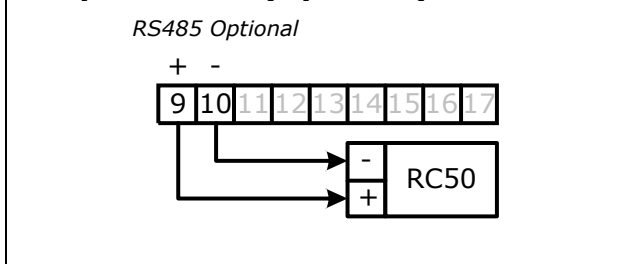
Alarm



Analog Output (Optional)



Output RS485 (Optional)

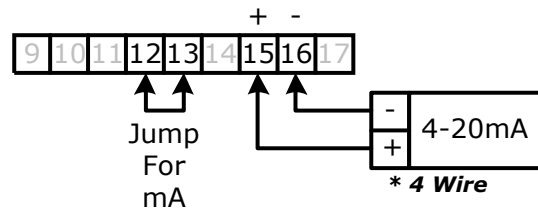
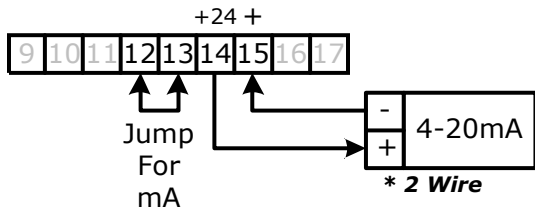


Analog Output & Output RS485

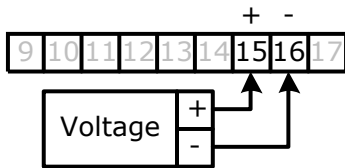
Connection Example

- ❖ Data Logger
- ❖ Recorder
- ❖ PLC Etc.

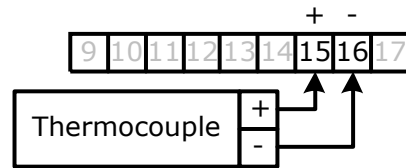
Current Input



Voltage Input



Thermocouple Input



RTD Input

